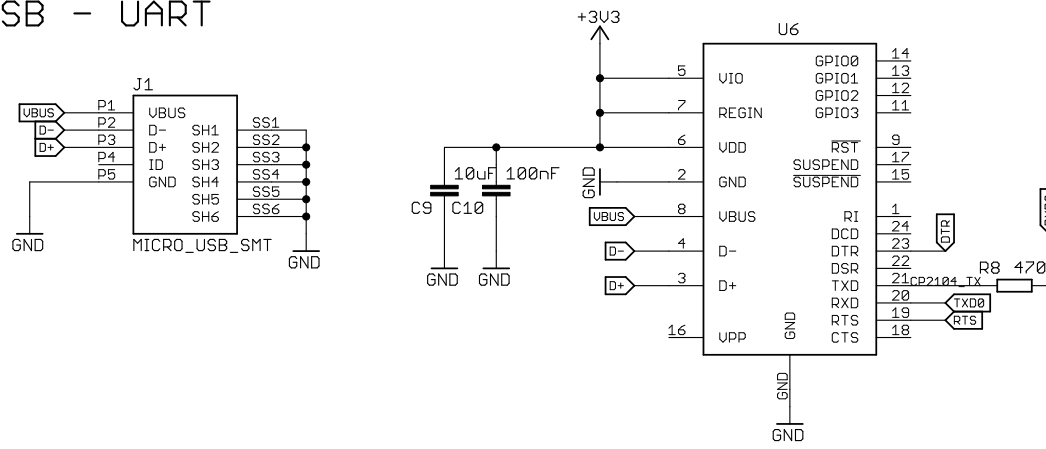
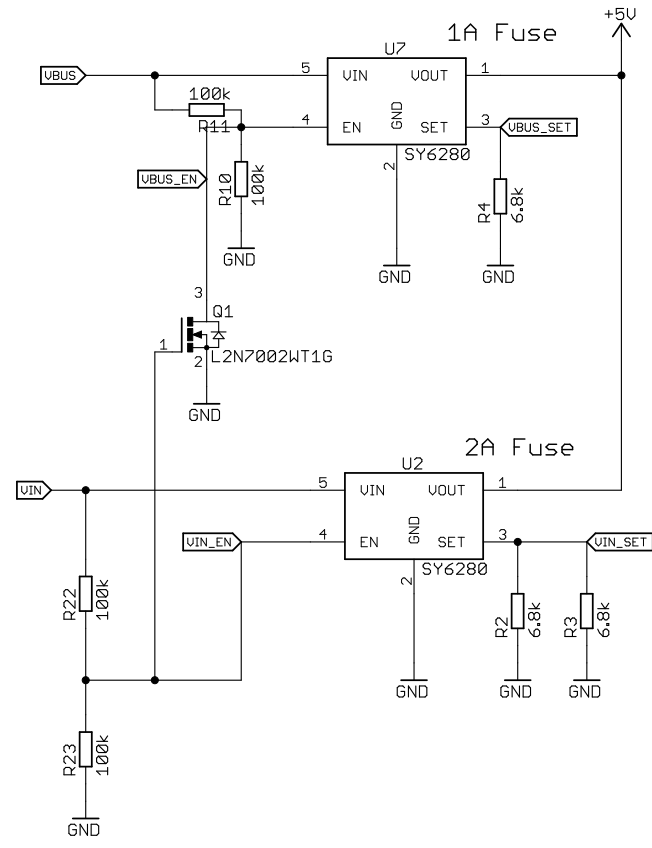


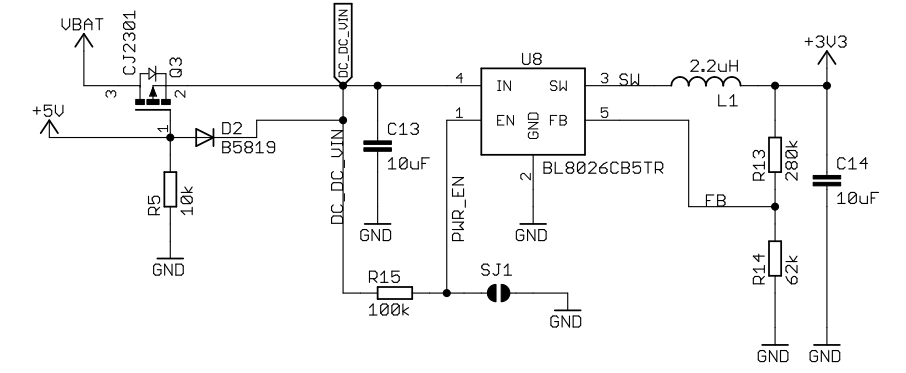
### USB - UART



### USB/VIN - 5V

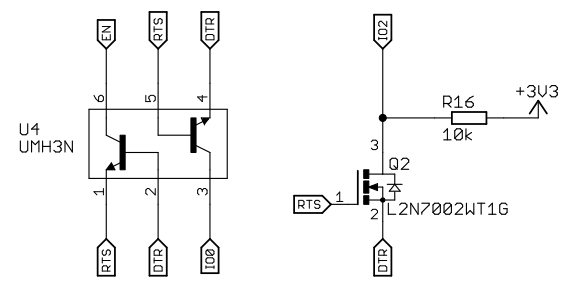


### 5V/Battery - 3.3V

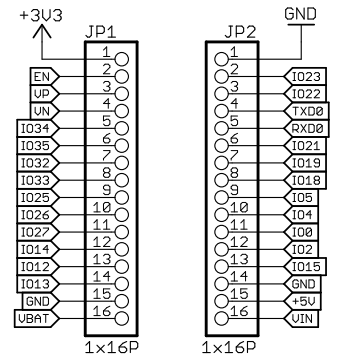


SJ1: Disable the DC/DC circuit when short.

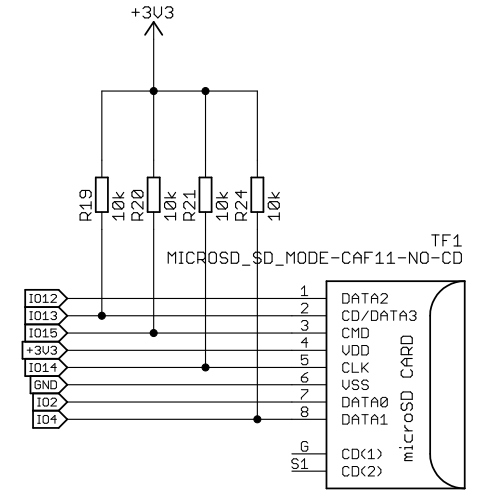
### Auto Flash



### IO

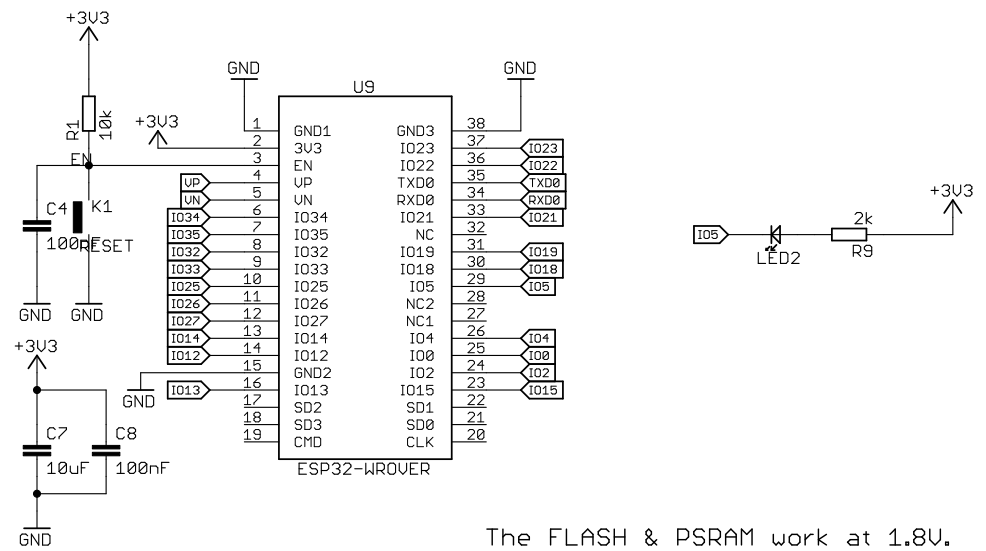


### Micro SD



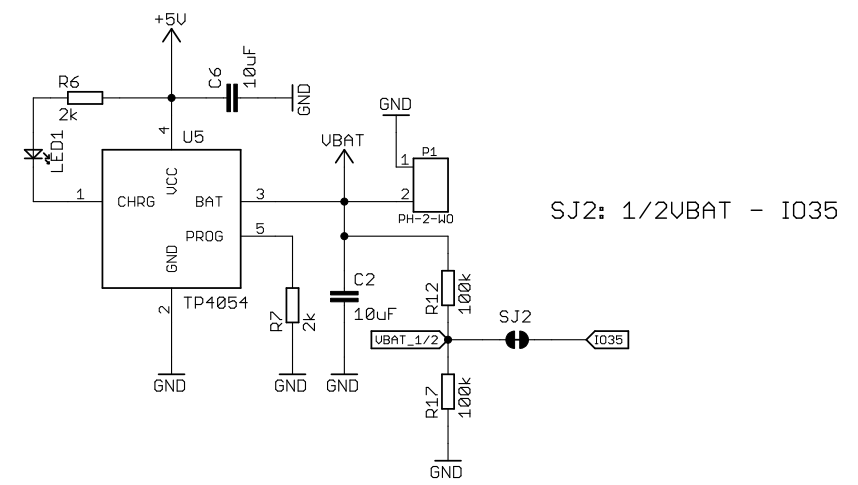
IO	SD MODE	SPI MODE
12	DATA2	
13	DATA3 - CS	
15	CMD - MOSI	
14	CLK - SCK	
2	DATA0 - MISO	
4	DATA1	

### Core



The FLASH & PSRAM work at 1.8V.

### Battery



SJ2: 1/2UBAT - IO35

<h2>LOLIN32 Pro</h2>	
TITLE: LOLIN32_Pro	
Design by:	REV: 1.0.0
Date: 2017-11-16 14:03	Sheet: 1/1